

Assembling Mats And Wood Dowel

TOOLS NEEDED (NOT INCLUDED):
FLAT HEAD PHILLIPS SCREWDRIVER
(OR 5/16" WRENCH)

DESCRIPTION	PART NO.	QTY.
Floor Mat	607-107	1
Foot Strap, 25"	101-011	1
Dowel, Maple, 1" x 34"	MD6024	1
Moon Box*	607-106	2

* may or may not be included, depending on your purchase

Remove all components from the boxes and remove all wrapping. Do not throw away any boxes/papers until all the steps are completed and all components have been accounted for.

INSTALLING THE FOOTSTRAP:

Remove the footstrap from the bag. Connect one of the foot strap clips to an eye bolts on the end of the long mat. Connect the other clip of the foot strap to the other eye bolt on the mat. See Figure A

INSTALLING THE WOOD DOWEL:

Lay the long floor mat with the upholstery side down. Install the dowel into one of the holes in the mat. Once the dowel is inside the first hole, slide both clamps over the wood dowel. See Figure B.

Finish sliding the wood dowel through the other hole in the mat. Center the wood dowel in the mats, or as desired. Move one clamp up against the inside edge of the mat wall and tighten using a Flat Head Phillips Screwdriver, or 5/16" Wrench. Move the second clamp to the opposite side and tighten against the other inner wall. See Figure C. Turn over the mat, so upholstery side is up. Your mat is ready to use.

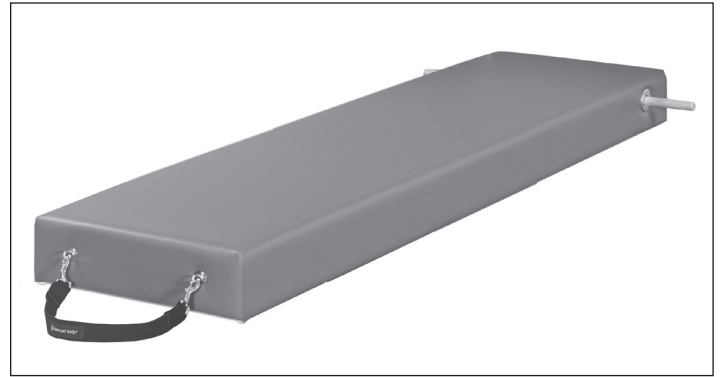


Figure A

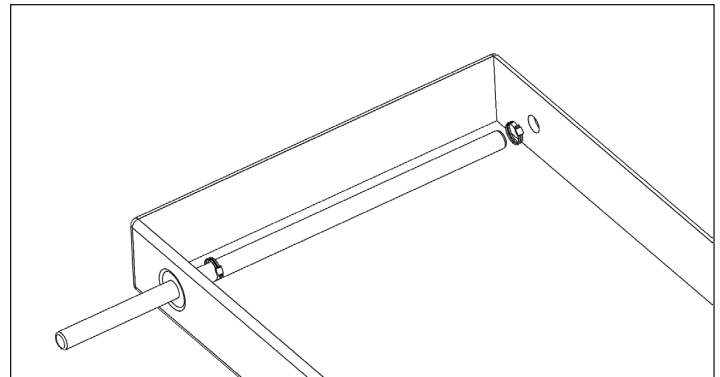


Figure B

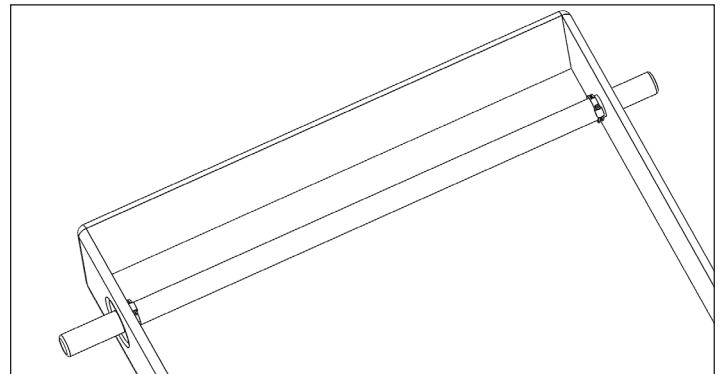


Figure C