

Headrest Replacement Instructions for the Rialto Reformer

PARTS LIST:

ITEM	PART NO.	QTY
Head rest	620-080	1
Flat head M4 screws	Gen7551	6

TOOLS REQUIRED (INCLUDED):

ITEM	PART NO.	QTY
2.5mm Allen wrench	TOL1605	1
1/8" Allen wrench	GEN9284	1

1. Make sure that carriage has at least one spring hooked on before beginning replacement.
2. Hinge the head rest forward to create some space to remove the (3) screws that hold the hinge in to the wooden carriage head section. Remove these screws with the included bigger 1/8" Allen wrench. Save these screws. See Figure A.

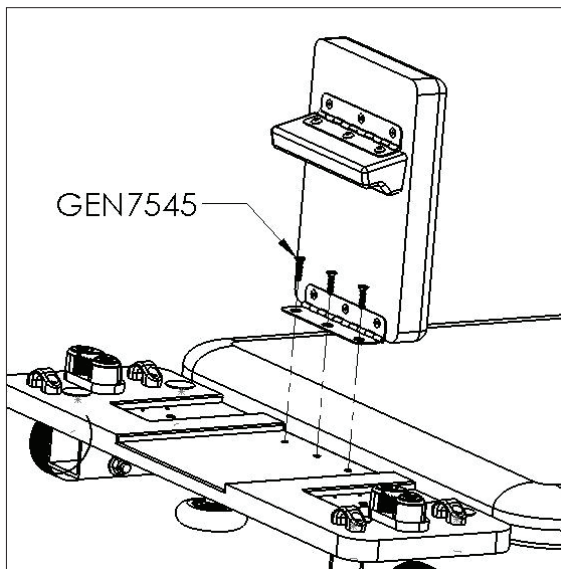


Figure A

3. Remove the screws that hold the two hinges to the head rest pad. See Figure B. Now remove and discard the old head rest and the screws.
4. Install the two hinges into the new head rest using the smaller 2.5mm Allen wrench. Use new screws that are in the kit. Refer back to Figure B. Make sure that all screws are tight.

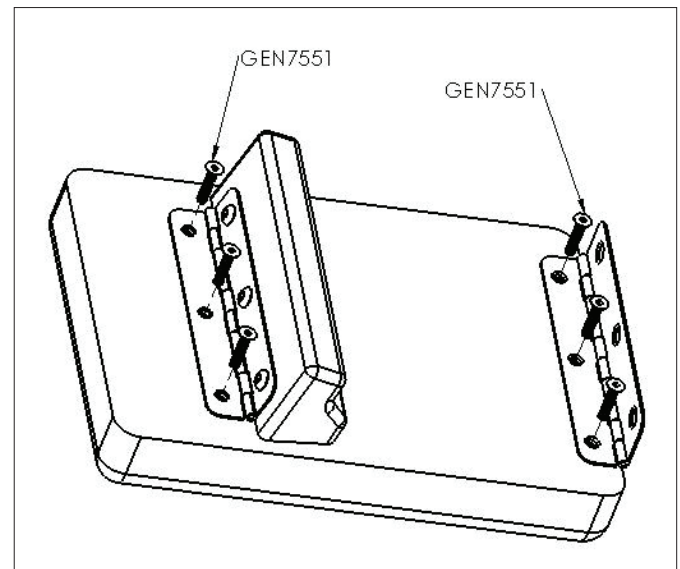


Figure B

5. Install this new head rest assembly on to the carriage pad using the 1/8" Allen wrench and the (3) screws from Step 2. Make sure that the screws are tight and the hinge sits flat on the carriage head.