

Shoulder Pad Replacement for the Rialto

PARTS LIST:

ITEM	PART NO.	QTY
Shoulder pad	620-078	2
Flat head M4 screws	GEN7552	8
2.5mm allen wrench	TOL1605	1

1. Remove the shoulder brackets from the carriage head section by loosening the knob that holds it down. Completely unthread the knob to remove it. Save the knob for reuse. See Figure A.

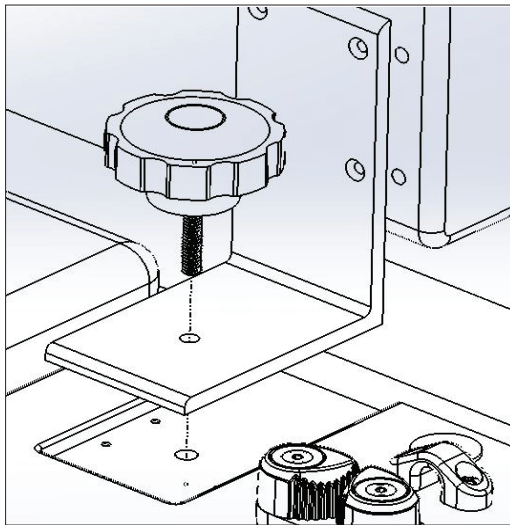


Figure A

4. Repeat steps 1-3 for the other shoulder pad. The mounting hole pattern would be the unused holes shown in Figure B. This would be the opposite holes from the other installed pad.

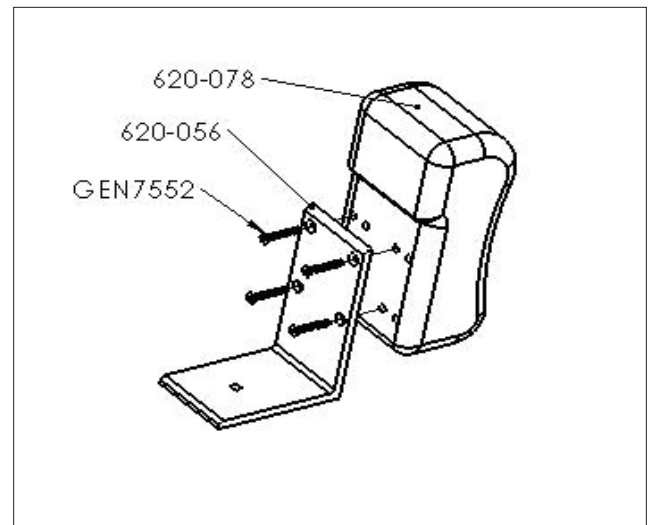


Figure B

2. Using the allen wrench remove the (4) flat head screws that hold the shoulder pad to the shoulder bracket. Discard these screws. See Figure B.
3. Attach the new shoulder pad to the shoulder bracket using the provided new screws. Tighten the screws to make sure the brackets firmly dig into the foam in the shoulder pads. Make sure all (4) screws are tight. Install the screws per the hole pattern shown in the Figure B. Match the pattern of the removed shoulder pads for reference.

5. Attach the shoulder pad assemblies back on the carriage using the knob. Shoulder pads can be swapped with each other to your preference for wide or narrow positions.

Note: In order for the shoulder rests to be completely secure, the knob has to be tightly threaded.