

# Rolling Wheel Replacement for Rialto

## TOOLS REQUIRED (NOT INCLUDED):

- » 1/2" wrench or socket (recommended)
- » Power Drill
- » Phillips Head screw driver

## PARTS LIST:

ITEM	PART NO.	QTY
Rolling wheels	GEN9014	4
Carriage wheel bolt	GEN9763	4
Washer	GEN9204	8
Nylock	GEN9013	4
Spacer	620-074	4

1. Remove the loops and the ropes from the carriage. Unhook the springs from the spring bar hooks. Flip the carriage over and lay the carriage on a smooth, clean surface with the upholstery side down. The carriage can also be flipped over and laid across on the reformer frame.

2. Hold the hex nut with a wrench and use a ratchet with a 1/2" socket to loosen the bolt. Remove the wheel assembly. See Figure A.

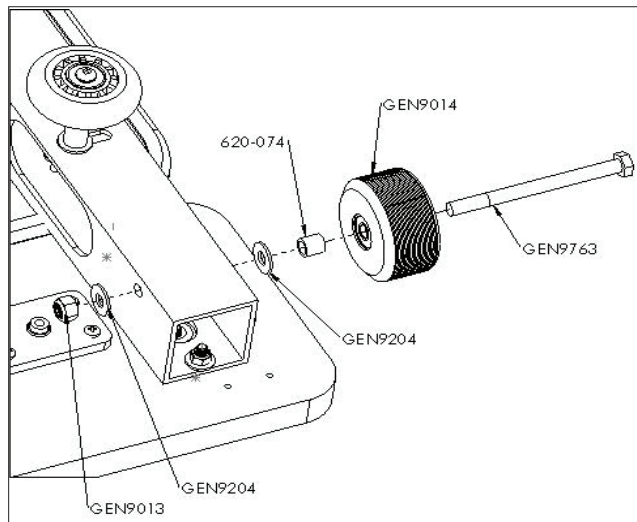


Figure A

3. Discard all the old parts.

4. See Figure A which shows the order in which the components go together.

5. Securely tighten the wheel bolt with a ratchet while holding the nut with a wrench.

6. Repeat Steps 2 through 5 to replace all the remaining wheels on the carriage. Check to make sure all the four wheels are freely spinning.

7. Clean all the wheels and the frame rail with a clean cloth to ensure a smooth ride.

8. Carefully lift the carriage and flip it back over and place it onto the frame rail. Roll it back and forth a few times to make sure that the ride is smooth and no contaminants were left on the wheels or rail.

9. Reinstall the ropes and loops.

10. Attach at least one spring to a spring hook to keep the carriage home.