

Instructions for installing the carriage posts on the Rialto Reformer

PARTS LIST:

ITEM	PART NO.	QTY
Carriage Posts	11820	2
Drill template	16946	1
#10 X 3/4 PHWS	13573	2
1/8" Drill bit	TOL1364	1

TOOLS REQUIRED (NOT INCLUDED):

- » Power Drill
- » Phillips screwdriver
- » Pencil

1. Remove the loops and the ropes from the carriage. Unhook the springs from the spring bar hooks. Flip the carriage over and lay the carriage on a smooth, clean surface with the upholstery side down. The carriage can also be flipped over and laid across on the reformer frame
2. Place the drill template on the carriage underside as shown in the figure A. Make sure that the template lines up flush with the carriage edge as well as the carriage rail.
3. Mark the holes to be drilled on the carriage using a pencil.
4. Drill the marked holes using the included 1/8" drill bit. Do not drill all the way through the carriage. Only drill half inch through the carriage wood. Note- The drill bit has a tape on it to indicate the 1/2" drill depth. Stop drilling when you reach the tape.
5. Place the Carriage post on the carriage underside surface and use the included #10 wood screws to mount them using a phillips screwsdriver or a power drill. See Figure B for reference.
6. Repeat steps 2 to 5 for the other side to finish installing the other carriage post. Clean up the area. Make sure that the rails are free of debris.
7. Carefully lift the carriage, flip it back over and place it onto the frame rail. Hang the loops on the newly installed carriage posts and install the ropes. Attach at least one spring to a spring hook to keep the carriage home.

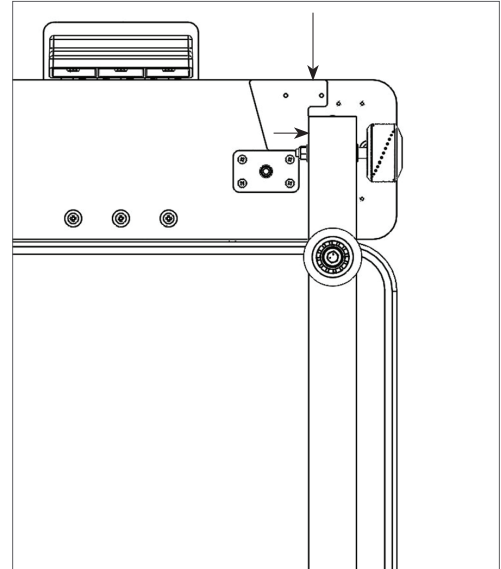


Figure A

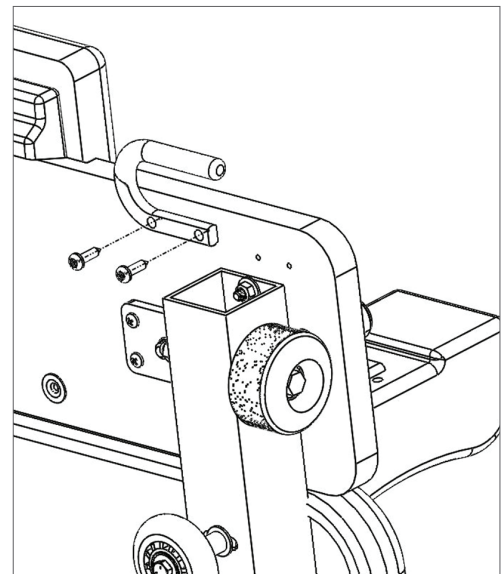


Figure B