

How to install the Padded Jumpboard

STUDIO REFORMER®

Standard Footbar

To install the jumpboard (regular or Jumpus Maximus) on equipment with a "standard" footbar design, first loosen the two black knobs located beneath the standing platform at the foot end of the frame. Place the spring bar into the second "gear" from the end of the frame (Figure A).



Figure A

Drop the shorter of the two footbar supports into the first "gear." The longer footbar support will rest on top of the standing platform (Figure A). Gently slide the wooden tongue of the padded jumpboard into the silver bracket on the inside of the frame. Finally, tighten the two black knobs on the outside of the frame to lock the jumpboard into position.

The black, padded portion of the footbar is intended to be behind the wooden block on the back of the jumpboard, not pulled up on top of it (Figure B).

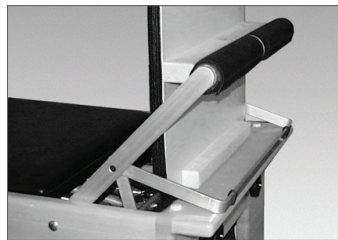


Figure B

Infinity Footbar®

To install the jumpboard (regular or Jumpus Maximus) on a Reformer with an Infinity Footbar, first loosen the two black plastic knobs beneath the standing platform at the foot end of the frame.

Adjust the footbar to the 4th position from the end of the Reformer. Then adjust the footbar to the second highest vertical position (Figure C). Next, place the tongue of the jumpboard into the silver bracket on the inside of the frame. Finally, re-tighten the black knobs on the outside of the frame.



Figure C

One-Step Footbar

To install the padded jumpboard (regular or Jumpus Maximus) on Reformers with the One-Step Footbar, first loosen the two black knobs located beneath the standing platform at the foot end of the frame. Place the footbar support into its lowest position. Gently lower the tongue of the jumpboard into the silver bracket and tighten the black knobs until snug.

The black, padded portion of the footbar is intended to be behind the wooden block on the back of the jumpboard, not pulled up on top of it

REVO® Footbar

To install the padded jumpboard (regular or Jumpus Maximus) on Reformers with the Revo Footbar, first loosen the two black knobs located beneath the standing platform at the foot end of the frame. Place the footbar support into its lowest (bottom) position. Gently lower the tongue of the jumpboard into the silver bracket on the inside of the frame.

The black, padded portion of the footbar is intended to be behind the wooden block on the back of the jumpboard, not pulled up on top of it. Gently tighten the black knobs until snug (Figure D).



Figure D

XSR REFORMER

Revo jumpboard and Revo jumpus maximus jumpboard both work on the XSR Reformer. To install the padded jumpboard into the XSR reformer, first loosen the two black knobs located beneath the standing platform at the foot end of the frame. Place the footbar into the fourth position from the top in the trunnion. Gently lower the tongue of the jumpboard in to the silver bracket on the inside of the frame. The black, padded portion of the footbar is intended to be behind the wooden block on the back of the jumpboard, not pulled up on it. Gently tighten the black knobs until snug. See Figure E.

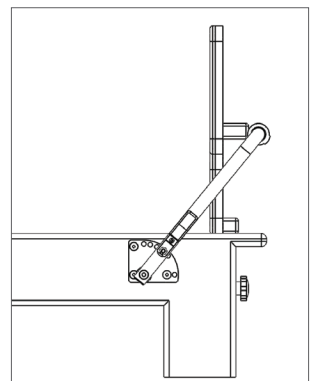


Figure E

**ALLEGRO® REFORMER (PURCHASED AFTER 6/21/07)
STANDARD JUMPBOARD**

To install the standard jumpboard on your Allegro or Allegro Stretch, set up the trunnions based upon which model of reformer you have:

1. Slide footbar into position depending on your model: For Allegro: Move to Second Rail positions, from carriage (See Figure F) For Allegro Stretch: Move to Third Rail positions, from carriage (See Figure G)
2. Adjust footbar on trunnion depending on your model: For Allegro: Second from the Top position (See Figure F) For Allegro Stretch: Third from the Top position (See Figure G)

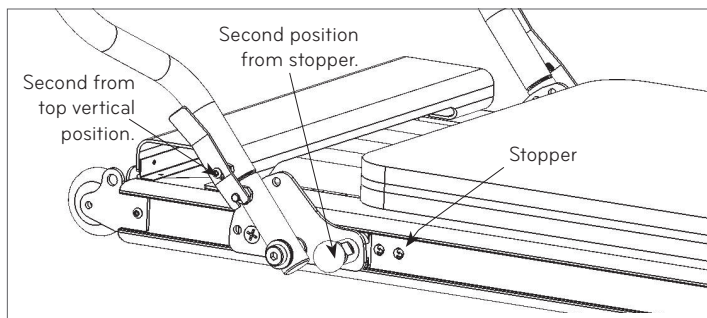


Figure F

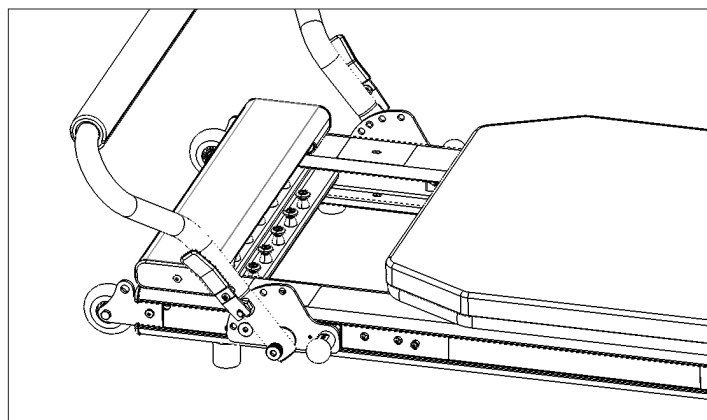


Figure G

3. Next, attach the jumpboard by inserting the flange on the jumpboard into the jumpboard clip (Figure G). The backside of the jumpboard should be resting against the footbar.

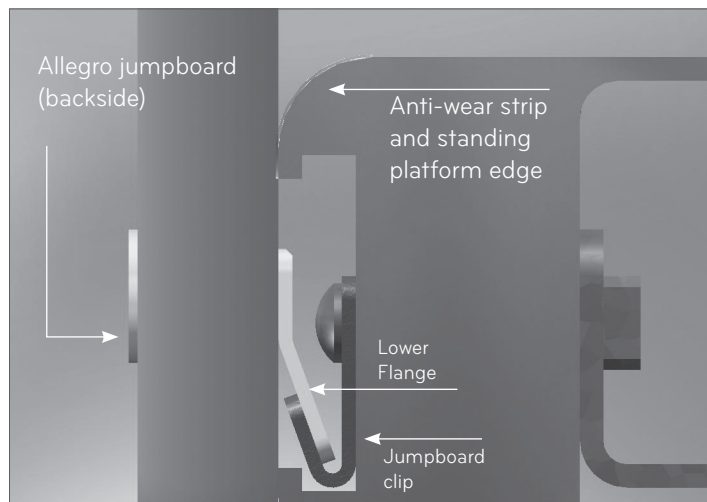


Figure G Cross section of proper jumpboard installation

If there is a gap between the jumpboard and the footbar, a grey strip of foam is included that can be installed on the back of the jumpboard to fill the space (Figure I).



Figure I

**ALLEGRO® REFORMER (PURCHASED BEFORE 6/21/07)
STANDARD JUMPBOARD**

First, adjust the footbar horizontally to the second hole from the carriage. Next, adjust the footbar vertically so that the pins are in the second hole from the top.

Insert the tapered end of the jumpboard in front of the footbar so it rests in the slot behind the standing platform. The back of the jumpboard should be resting against the footbar (Figure J).



Figure J

Arrange the elastic cords so that both hooks hang over the top of the footbar. Hook one end of the cord into the top hole of the transport wheel bracket. Next, grab the cord firmly at a position between the chrome eye straps and pull it toward the unhooked side (Figure K).

This will create enough slack to allow hooking into the other transport wheel bracket. Before using, check that all footbar positioning pins are properly engaged and that both cord hooks are secure (Figure J).



Figure K

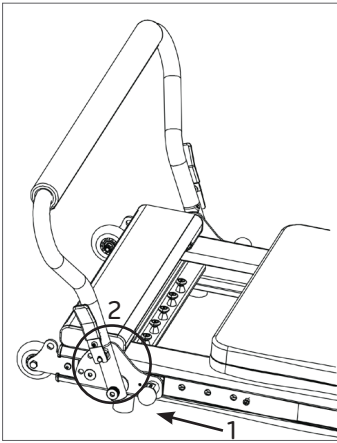


Figure L - Allegro

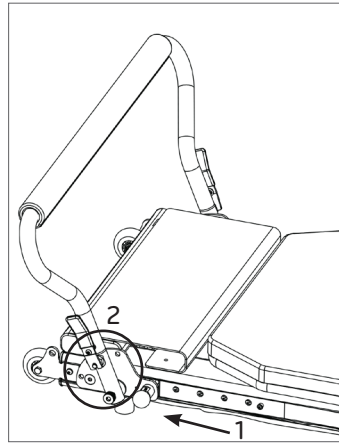


Figure M - Allegro Stretch

ALLEGRO® REFORMER—JUMPUS MAXIMUS

To install the Jumpus Maximus on your Allegro or Allegro Stretch, set up the trunnions based upon which model of Allegro you have:

1. Slide footbar to last position (from carriage) and lock.
2. Adjust footbar on trunnion depending on your model.

For Allegro: Move footbar to top position (Figure L).

For Allegro Stretch: Move footbar to second from top position (Figure N).

3. Insert jumpboard inside of footbar. Bottom clip of padded jumpboard fits into slot on reformer (Figure G).

When installed correctly the padded jumpboard will be supported by the footbar (Figure M).

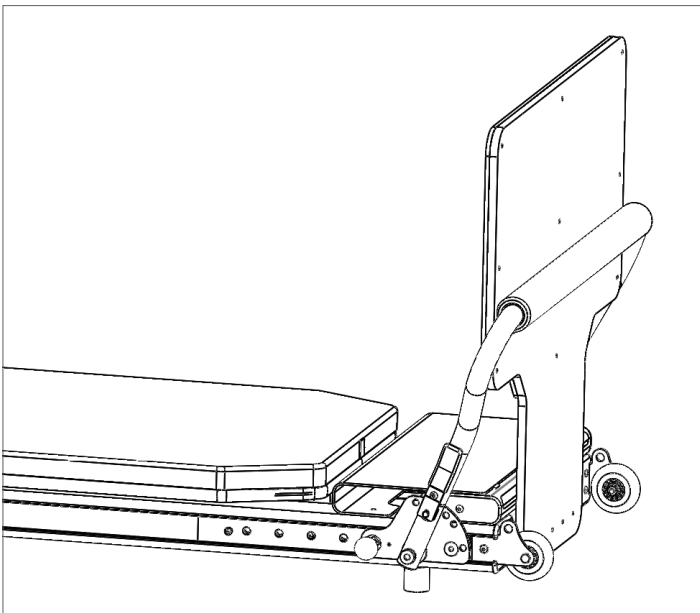


Figure N

If there is a gap between the jumpboard and the footbar, a grey strip of foam is included that can be installed on the back of the jumpboard to fill the space.

RIALTO® REFORMER

Before installing the jumpboard, position the footbar in the lowest position, so that the jumpboard won't touch the footbar when installed. Support of the footbar is not required on the Rialto. To use the jumpboard, slide the posts into the receivers until the jumpboard comes to a stop. (Figure N).

Correct footbar positioning

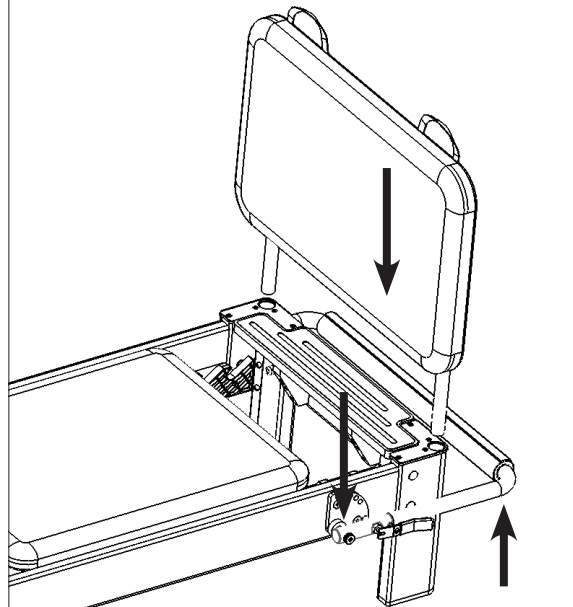


Figure N - The footbar must be in the lowest position and set closest to the standing platform end of the Reformer.

STOP! Incorrect footbar positioning

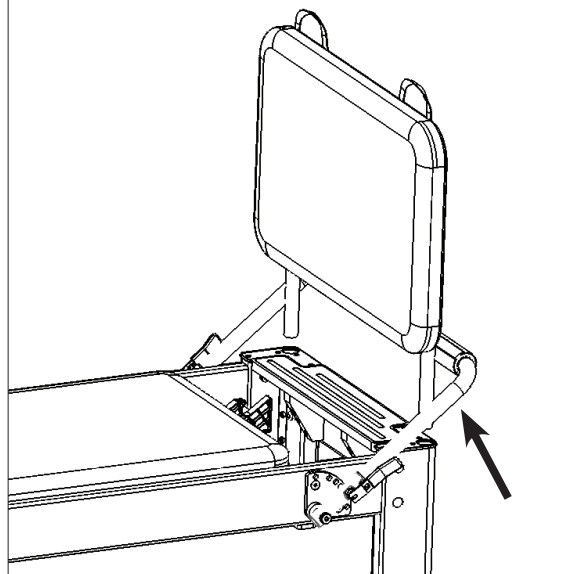


Figure P - If not in the correct position, the jumpboard could damage the footbar.

IQ® AND SPORT REFORMERS

Attach jumpboard bolt and washer into hole at foot-end of frame. Then place the footbar in holes closest to foot-end (see orientation in Figure Q) and lock in place.

The cutout on the bottom of the board will slide over and around jumpboard bolt with washer against knob. The jumpboard should now be resting against footbar. Tighten bolt assembly to secure jumpboard (Figure Q).

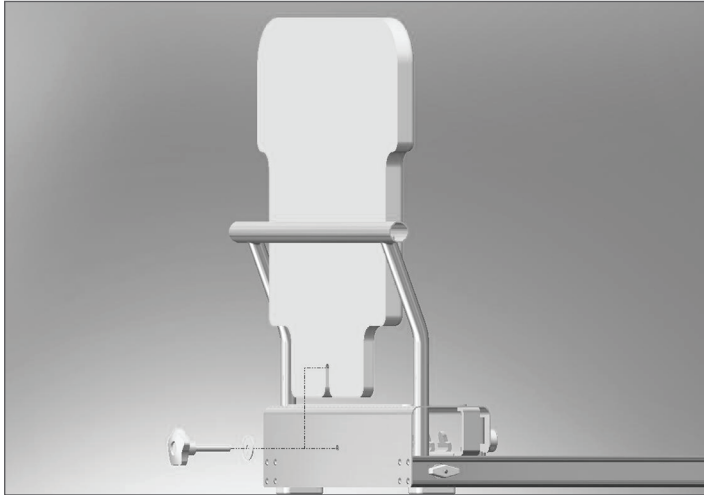


Figure Q

ALLEGRO® 2 REFORMER

Before installing the jumpboard, position the footbar in the lowest position, so that the jumpboard won't touch the footbar when installed. Support of the footbar is not required on the Allegro 2. To use the foot plate, slide the posts into the receivers until the jumpboard rests on the standing platform (Figure R).

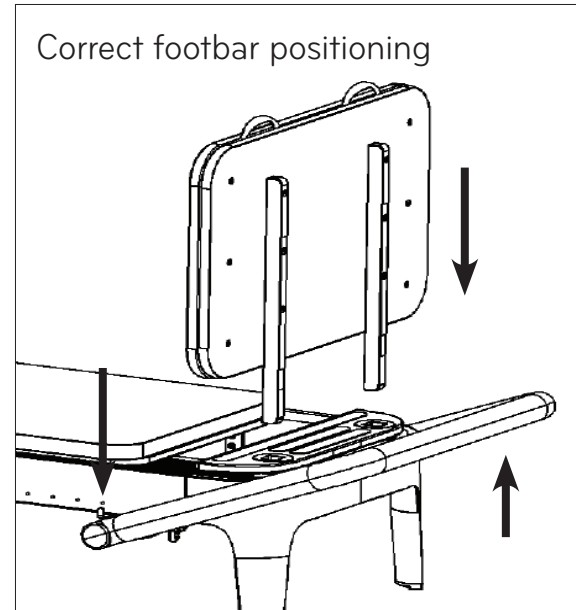


Figure R - The footbar must be in the lowest position and set closest to the standing platform end of the Reformer.

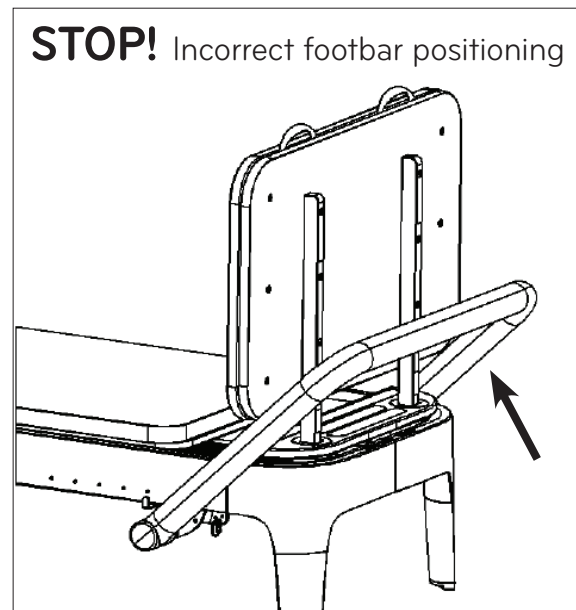


Figure S - If not in the correct position, the jumpboard could damage the footbar.

IMPORTANT! Failure to correctly position the footbar when installing the jumpboard could damage the foam on the footbar. This damage is NOT covered under warranty.