

Installing the Balanced Body® Cardio Cloud

These instructions cover two sizes of Cardio Clouds.

- » 720-054 (small) fits standard Studio Reformer®, Pilates IQ® Reformer, and Sport® Reformer foot plates.
- » 720-055 (large) fits the Allegro® and Allegro® 2 Reformer foot plates.

INSTALLATION PROCESS IS THE SAME FOR BOTH.

1. Follow the normal procedure for installing your foot plate.
2. Hold the Cardio Cloud above the foot plate with the corner straps facing the padded surface of the foot plate. See Fig A.
3. Then lower the Cardio Cloud in front of the foot plate, making sure the corner straps loop over the corners of the foot plate. See Fig B.

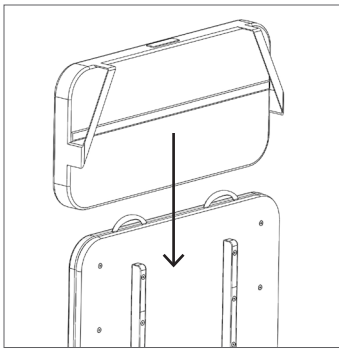


Figure A

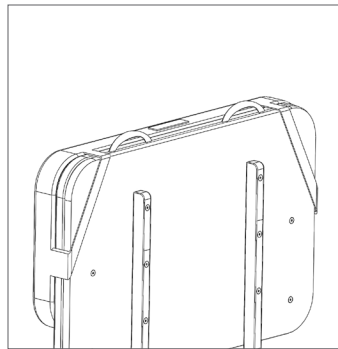


Figure B

INSTALLING REPLACEMENT FOAM PADDING

After extended use of the Cardio Cloud the foam will eventually need to be replaced. To replace the foam, open the upholstery cover at the Velcro on the back. Remove the old foam and insert the new foam. See Fig. C.

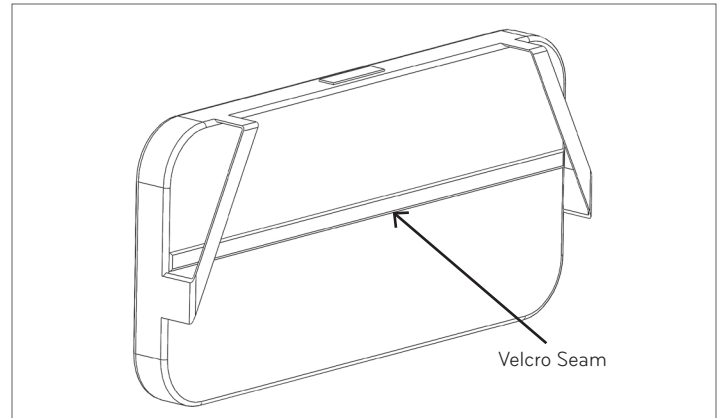


Figure C

Replacement foam for 720-054 (small) is part # UPH7031.

Replacement foam for 720-055 (large) is part # UPH7032.

Questions? Call Balanced Body technical support at 1-800-PILATES or +1-916-388-2838.