

Headrest Replacement Instructions for the Contrology Reformer

PARTS LIST:

ITEM	PART NO.	QTY
Head rest replacement kit	950-306	1
Allen Wrench	13780	1

TOOLS REQUIRED (NOT INCLUDED):

» Phillips head screwdriver

1. Remove the leather straps from the carriage.
2. Lift the carriage out of the frame, flip the carriage over so the vinyl is facing down and set the carriage across the reformer rails as shown in Figure A.

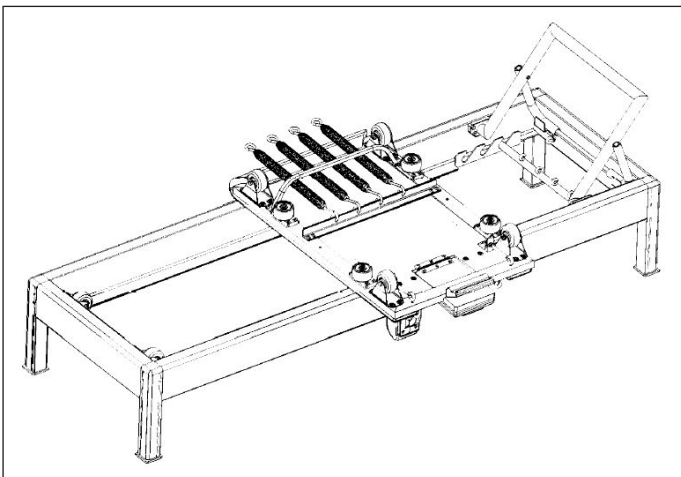


Figure A

3. Remove the three screws to remove the old head rest, set screws aside for later. Discard the old head rest. See Figure B.
4. Place the new headrest into position so the three holes in the hinge line up with the three holes in the wood base of the carriage.

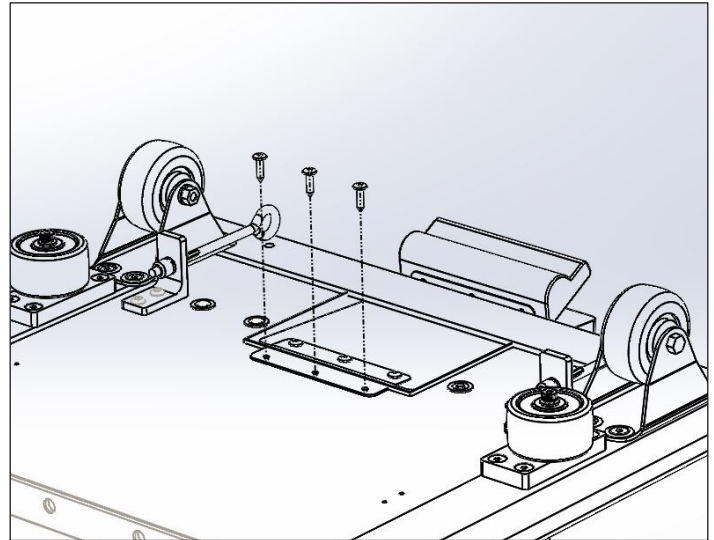


Figure B

5. Re-install the three screws to secure the new headrest. Make sure that the screws are tight but be careful not to over tighten the screws. See Figure B.
6. Place the carriage back into the usable position and re-attach the leather straps along with at least one spring.