

# Conversion of Adjustable to Fixed Strap Mounts

## Instructions for the Contrology Reformer

### TOOLS REQUIRED (INCLUDED):

ITEM	PART NO.	QTY
5/32" Allen wrench	212-001	1
Wrench 7/16"	616-113	1

### PARTS LIST:

ITEM	PART NO.	QTY
Eye-bolt open	623-531	2
Hex Nut	GEN9056	2
Washer	GEN9206	2

1. Remove the leather straps from the carriage.
2. Lift the carriage out of the frame, flip the carriage over so the vinyl is facing down and set the carriage across the reformer rails as shown in Figure A.

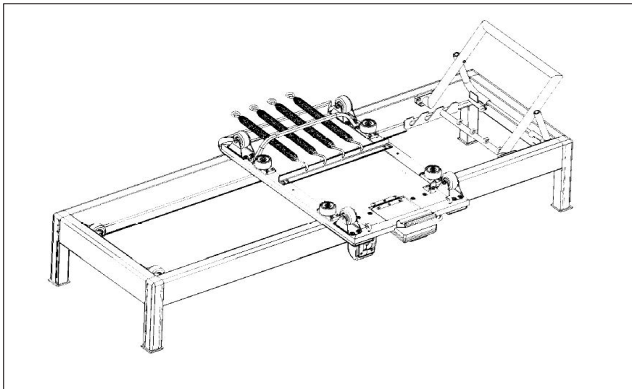


Figure A

3. Loosen the wingnuts on the Adjustable Strap Mounts and thread the eye-bolt in all the way. Re-tighten the wingnuts. This will allow the future use of these adjustable mounts if desired. See Figure B.

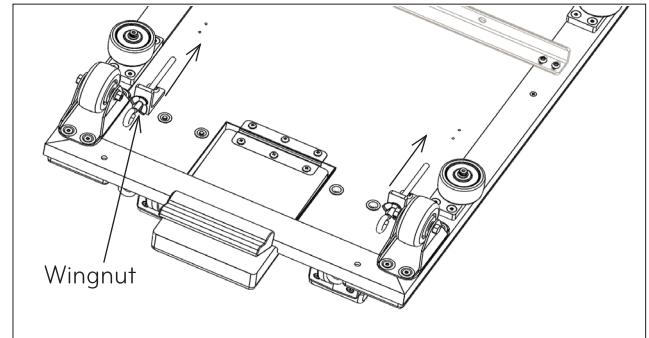


Figure B

4. Install the open eye-bolt, nut and washer with the provided 7/16" wrench as shown in Figure C. Insure that the open hook of the eye-bolt is facing towards the foot end of the carriage.

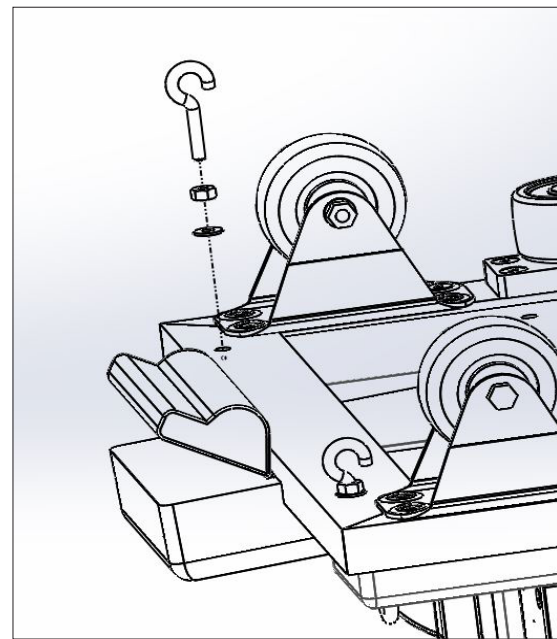


Figure C

5. Repeat for the other side.
6. Place the carriage back into usable position. Re-attach the leather straps and at least one strap.