

Shoulder Rest Replacement Instructions for the Contrology Reformer

TOOLS REQUIRED (NOT INCLUDED):

- » Phillips Head screw driver (electric screwdriver recommended)

PARTS LIST:

ITEM	PART NO.	QTY
Shoulder Rests	950-307	2
#10 Wood Screws	GEN9274	8

1. Remove the four screws from the back of the shoulder support as shown in Figure A. Discard screws and old shoulder rest.
2. Place the new shoulder rest up against the shoulder support so the four holes in the shoulder rest line up with the four holes in the shoulder support. See Figure A.
3. Use a provided screw to secure the shoulder rest to shoulder mount. Tighten the screw until the head is tight into the corresponding hole on the shoulder support. Repeat for other screws.

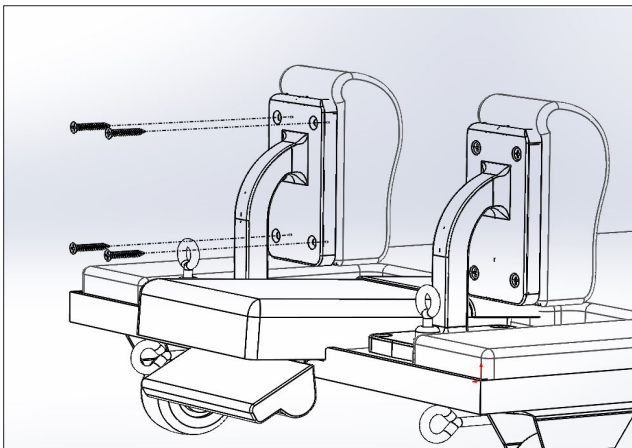


Figure A

4. Repeat for other shoulder rest.