

Rolling Wheel Replacement Instructions for the Contrology Reformer

TOOLS REQUIRED (INCLUDED):

ITEM	PART NO.	QTY
5/32" Allen wrench	212-001	1

PARTS LIST:

ITEM	PART NO.	QTY
Rolling Wheel	623-573	4

1. Remove the leather straps from the carriage.
2. Lift the carriage out of the frame, flip the carriage over so the vinyl is facing down and set the carriage across the reformer rails as shown in Figure A.

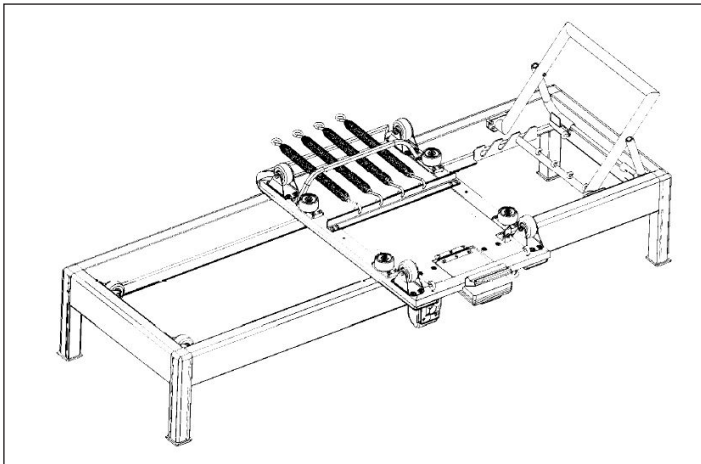


Figure A

3. Remove the four screws from the rolling wheels using the provided Allen wrench. Discard old wheel. See Figure B.
4. Replace the wheel and re-install screws until snug.
Note: Tighten the screws carefully. Start by hand if using a power tool.
5. Repeat for all four rolling wheels.

6. Place the carriage back into usable position and re-attach the leather straps and at least one spring.

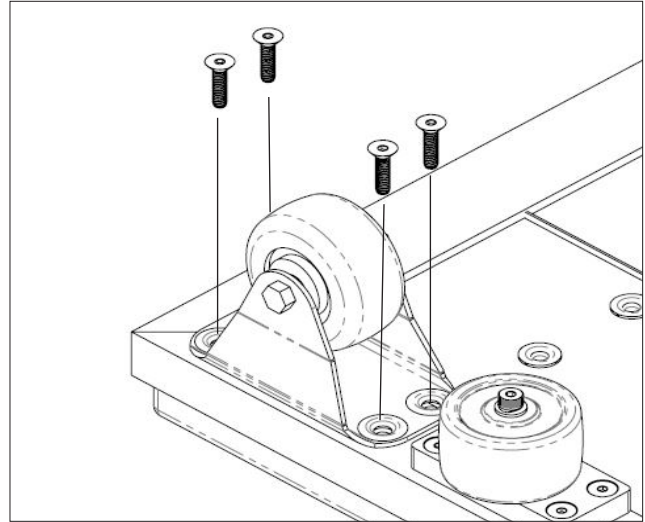


Figure B