

How to assemble your Contrology Ped-O-Pul

PARTS INCLUDED:

ITEM	PART NO.	QTY
Wooden Base	17130	1
Cross Arm	17140	1
89" Pole	17139	1
Handles (Pair)	17115	1
Light Springs	16913	2
Flat Head Screws	GEN7303	4
5/32" Hex Key	GEN9282	1
Button Head Screw	17215	1
5/16" Hex Key	GEN9050	1
Washer	GEN9084	1

1. Place the cross arm onto the cut out on top of the pole. Line up the hole in the cross arm with the pole. Use 17215 screw, GEN9084 washer and 5/16" Hex key to fasten the cross arm to the pole. Make sure to tighten the assembly as much as possible. See Fig. A.
2. Attach the 89" Pole to the top of the wooden base using four GEN7303 screws. Use the 5/32" hex key. See Fig. B. Make sure that the cross arm attached on top of the pole is facing left/right before screwing to the wood base. See Fig. B.
3. Attach the springs to the eye bolts and handles to the springs.
4. Your Contrology Ped-O-Pul is ready to use.
5. CAUTION: You must stand on the wooden base when using this product. This product can tip over and fall if not used properly.

SAFETY NOTE - The functionality of Contrology Ped-o-Puls require them to be free-standing. The designs mandate the user to either stand or sit on the Pedo-Pul, or for a second person to hold the apparatus upright during use, to prevent the Ped-o-Puls from falling over.

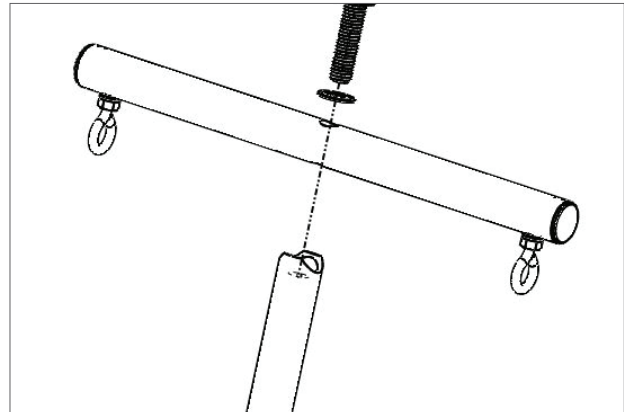


Figure A

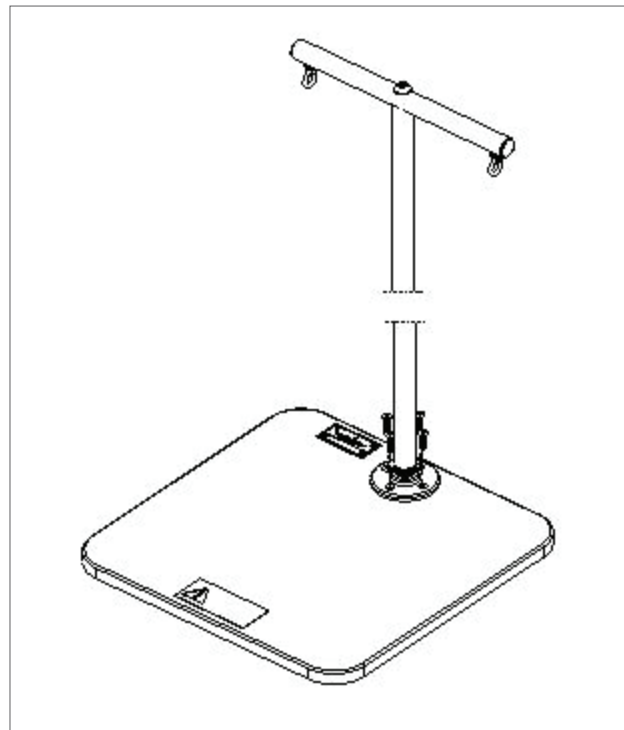


Figure B