

# Installing Shoulder Rests and Posts

Use these instructions to install your shoulder rests and posts. Disregard the information in your instruction manual on this topic.

## INSTALL THE SHOULDER RESTS

Note the two protruding studs on the bottom of the shoulder rests. Lower the shoulder rest studs into the key holes and slide shoulder rests away from the carriage pad. See Figure A. Note: The shoulder rests can be installed in two positions. One position is wider and more comfortable for broad shoulders. Swap the left and right shoulder rests to change between standard and wide configurations.

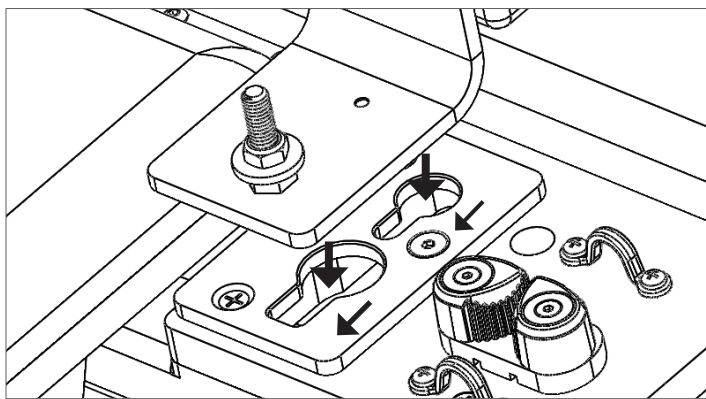


Figure A

## INSTALL THE LOCKING SHOULDER POSTS

Screw the locking shoulder posts onto the exposed bolt on each shoulder rest. Turn the posts clockwise to tighten them and lock the shoulder rests into position. See Figure B. Over tightening the posts will make them difficult to remove. They should be snug but not too tight. To remove the shoulder rests, turn the post counter-clockwise 1-2 turns and gently slide the shoulder rests towards the carriage, then lift them up and out.

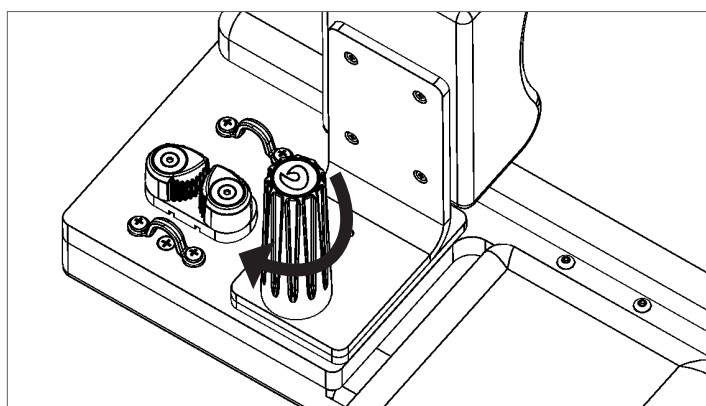


Figure B