

Replacing the wheels on the CenterLine® Reformer carriage.

REPLACEMENT KIT PARTS LIST

	ITEM	QTY
1	Rolling Wheels with Bushings preassembled	4
2	Spacers	4
3	Hex head bolts	4
4	Washers	12
5	Nylock Nuts	4

TOOLS NEEDED:

- » Wrench
- » Socket wrench

TO INSTALL:

1. Unhook the springs, remove the carriage and place it with the upholstery side down on the frame. As shown in Fig. 1.

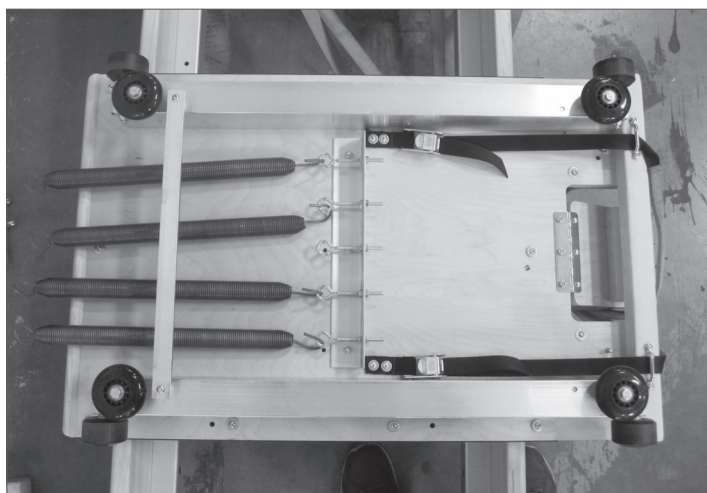


Figure 1.

2. Grab the hex nut with wrench and use a ratchet with a 1/2" socket to remove the wheel assembly as shown in Fig. 2.

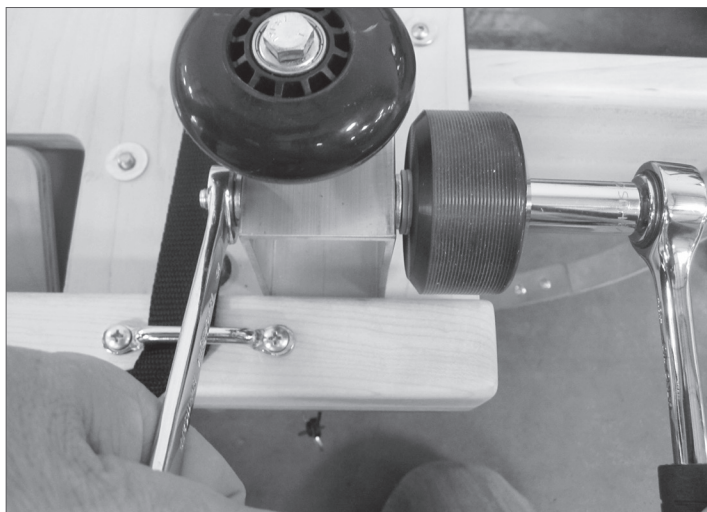


Figure 2.



3. Discard or recycle all old parts.
4. See Fig. 3 for proper part orientation of new wheel assembly and attach.

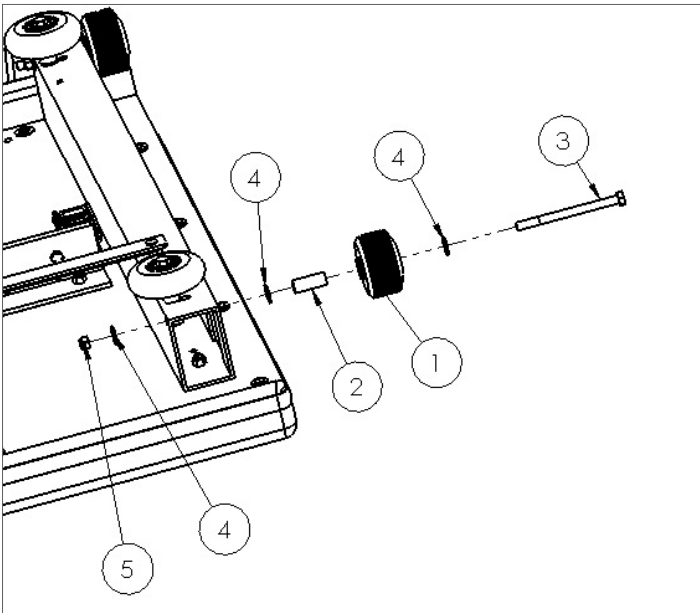


Figure 3.

5. After components are in place securely tighten the wheel bolt with a ratchet while holding the nut with a wrench.
6. Repeat steps 2 through 5 to replace all the remaining wheels on the carriage.
7. Clean all the wheels and frame rail with a clean cloth to ensure a smooth ride.
8. Carefully lift the carriage and flip it back over and place on to the frame rail. Roll it back and forth a few times to make sure that the ride is smooth and no contaminants were left on the wheel or rail.
9. Reinstall the springs to keep the carriage home.

Questions? Call Balanced Body® technical support at 1-800-745-2837 (US and Canada) or +1-916-388-2838 (all other countries).