

Replacing the Rope Release Spring on the Allegro® 2 Reformer

TOOLS REQUIRED (NOT INCLUDED)

- » Pliers

PARTS LIST

Item	Part No.	Qty
Spring, Extension, Undercarriage A2	SPR9503	1

REMOVE THE EXISTING ROPE RELEASE SPRING:

1. If your Allegro 2 has legs there should be enough room to lay down underneath your machine and perform the installation. If your machine does not have legs, or you desire extra room, lift the machine off the ground by putting something under the rails. Most commonly used is a sitting box with a mat on top to protect the vinyl from damage. You will need enough clearance to access the underside of the carriage.
2. Using pliers, grab the currently mounted spring as indicated by the arrow shown in Figure A. Pull the spring towards the foot end so that the hook clears and releases off the button head screw.
3. Next unhook the top of the spring from the plate at the top of the mechanism shown in Figure A.

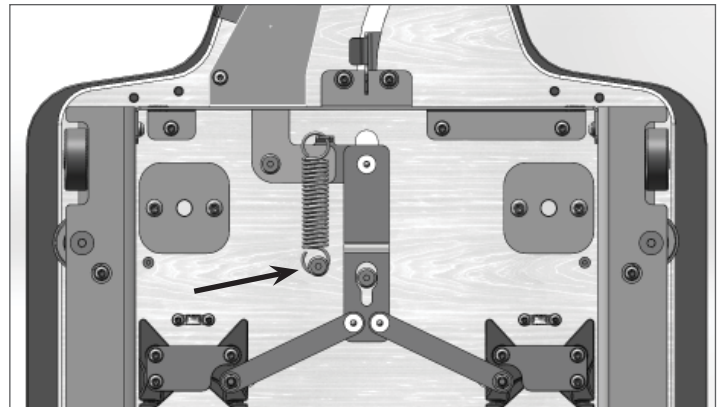


Figure A: Underside of the Carriage

INSTALLING THE NEW ROPE RELEASE SPRING:

NOTE: The new Rope Release Spring has a body coil that is a little shorter in length, but a bigger outside diameter than the previous old style of spring.

4. Reverse the directions for removing the existing spring to install the new spring. The end that goes into the hole in the plate mechanism does not matter.
5. Using pliers stretch and pull the free end of the new spring over the button head screw.
6. Remove anything that is supporting your machine off the ground. Your machine is ready to use.

Questions? Contact Balanced Body Technical Support at 1-800-745-2837 (US, Canada), +1-916-388-2838 (all other countries), or info@pilates.com